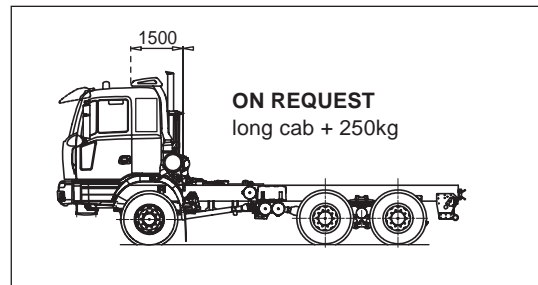
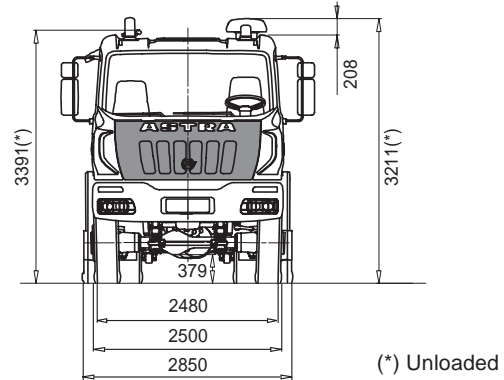
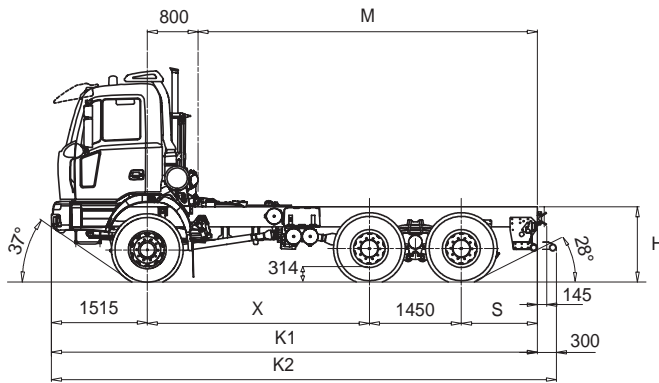




chassis 6x6 66.48 / 66.54



DIMENSIONS (mm) short cab (Tyres 14.00R20)

wheelbases	X	K1	K2	M	S	S ON REQUEST	H		TURNING DIAMETER
							UNLOADED	LOADED	
C	3800	7965	8265	5650	1200		1320	1260	21470
D	4100	8265	8565	5950	1200	1500-1900			22730
E	4500	8665	8965	6350	1200	1500-1900			24420
F	4750	9615	9915	8815	1900	1900			25480



WEIGHT (kg)

wheelbases	Distribution net weight (*)			Max. technical weight			
	1 st axle	2 nd +3 rd axle	net weight	1 st axle	2 nd +3 rd axle	Gross Vehicle weight	Gross Combination weight
C	6280	5740	12020	10000	40000	50000	120000
D	6410	5634	12044				
E	6590	5530	12120				
F	6650	5540	12190				

(*) Weight including oil, fuel, spare wheel, driver Kg. 75





ENGINES

CURSOR 13 turbo intercooler euro 3 diesel injection/cycle with electronic unit injection pumps. 6 in-line cylinders. Single block head, four valves per cylinder, light alloy pistons. Total displacement: 12.882 cm³. Bore for stroke: 135 x 150 mm. Water cooling. Viscostatic cooling fan. Dry air filter with safety cartridge. Vertical muffler.

	66.48	66.54*
Model	IVECO F3B E3681F	IVECO F3B E0681AB
Max. power (EEC)	353 kW (480 HP)	397 kW (540 HP)
Corresponding rpm	1.900	1.900
Max. torque (EEC)	2.200 Nm (224 kgm)	2.350 Nm (240 kgm)
Corresponding rpm	1.000-1.440	1.000-1.690
Turbine	VGT variable geometry	

*Requires additional engine radiator, for extremely hot climate (>42°C).



GEARBOX

Manual gear **ZF 16 S 2520 TO** with servoshift, 16 synchronised forward speeds + 2 reverse

On request: Automatic gearbox Allison HD 4700

		Speed [kph] at maximum power rpm - Tyres 14.00R20																	
		Gears																	
		1	2	3	4	5	6	7	8	9	10	11	12	13	14	15	16	RM	RM
ZF 16 S 2520 TO	Gear ratios	13,80	11,54	9,49	7,93	6,53	5,46	4,57	3,82	3,02	2,53	2,08	1,74	1,43	1,20	1,00	0,84	12,92	10,80
	Rear axle ratio with transfer 1:1.0	4,7	5,7	6,9	8,3	10,0	12,0	14,3	17,2	21,7	25,9	31,5	37,7	45,8	54,6	65,5	78,0	5,1	6,1
		5,5	6,5	8,0	9,5	11,6	13,8	16,5	19,8	25,0	36,3	36,3	43,4	52,8	62,9	75,5	89,8	5,8	7,0



P.T.O.

On request:

Gearbox	ZF16S2220TO-ZF16S2520TO	Max. torque	Application
P.T.O.	Ratio	Nm.	
ZF NH/1b	0,91/1,09:1	1000	For tipping unit pumps, pumps for cranes, ecc..
ZF NH/1c	0,91/1,09:1	1000	For tipping unit pumps, unit pumps for concrete, pumps for cranes, ecc..
ZF NH/4c	1,17/1,40:1	430	For tipping unit pumps, ecc..



CLUTCH

Single dry plate, diameter 17". Pull type engagement with diaphragm spring. Hydro-pneumatic power steering engagement control, with driven disk wear recovery slave cylinder.



TRANSFER STEYR VG 2700

Mechanical with two ratios. It consists of a series of helical spur gears, mounted on three shafts, engaged with each other. Differential lockable by pneumatic control.

Transmission ratio: 0:913 - 1,407

Front torque distribution ratio: 1,0

Rear torque distribution ratio: 2,6



SUSPENSIONS

FRONT

Parabolic springs with bushings, 5 leaves 24x90 mm, cord 1800 mm, with hydraulic shock absorbers.
Standard stabilizer bar.

REAR

Parabolic springs, swivelling on central pin: 5 leaves 40x100 mm, chord 1450 mm, supplemented by torque bars and stiffening brackets. Stabilizer bar on the 3rd axle.



AXLES

FRONT

Steering type; with dual reduction, central with pinion-crown wheel, side by means of epicycloidal assembly in wheel hubs.

On request:

Differential lockable by pneumatic control from driver's seat.

REAR

Two drive axles in tandem. Double reduction: central with bevelled pair, final in the wheel hubs by means of epicycloidal assembly.

2nd axle with distributor for the torque distribution between the two axles.

Differential lockable by pneumatic control from driver's seat.

Tandem assembled to the chassis by reaction rods with silentblock. Rear-axle ratio 1:7,29

On request:

Rear-axle ratio 1:6,33



CHASSIS

In steel with high elasticity limit consisting of two flat parallel side members (width 820 mm.) with C section (320x90x10 mm), jointed by nailed R.B.M. (Rail Bending Moment) cross members : 202.020 Nm (20.593 Kgm.). Front bumpers in steel with headlamp protection grids, front manoeuvring hook, rear underrun bar, steel fuel tank, capacity 300 litres.

On request:

Rapid attachment for compressed air for tyres' inflation.

Rear underrun bar in set back position.

Extra long underrun bar for concrete mixer.

Rear manoeuvring hook.

Rear automatic towing hook.

Rubber mudguards on 2nd and 3rd axle.

Side windlass for spare wheel.



BRAKES

Front and rear "duo-duplex" self-adjusting wedge type brakes with automatic play take-up. ABS.

Service brake: Pedal controlled air brake, acting on all wheels.

Solo vehicles, two independent circuits, one for 1st axle, one for 2nd and 3rd axle; 1st category wheels anti-lock system.

Towing vehicles, three independent circuits, one for 1st axle, one for 2nd and 3rd axle and another for the trailer; 1st category wheels anti-lock system.

Emergency brake: Incorporated in service brake.

Parking brake: Manual spring-type mechanical with pneumatic control acting on 2nd and 3rd axle wheels.

IVECO BRAKE TURBO engine brake:

braking power 255 kW (347 cv)

On request:

Hydraulic retarder.

1st axle immobiliser system.

OFF/ROAD button for excluding ABS



TYRES

FRONT: 14.00R20 G Single tubeless

REAR: 14.00R20 G Twin tubeless

Spare wheel on the chassis.



ELECTRICAL SYSTEM

Voltage: 24 V

Alternator generator 90 A - 28 V (2520 W).

Accumulators: 2 in series, 170 Ah.

Starter motor 24 V 5,5 kW.

Mechanically controlled electrical circuit breaker.

Anti-block system ABS with 4-conduits and 4-electric valves-electronic system.

Phonic wheels and sensors on 1st and 2nd axle.

1 electrical joint 7-pole(ISO 7638) for trailer ABS(if applicable).

1 electrical joints 15-pole(ISO 12089-4091) for trailer lighting (if applicable).

Headlamp geometry corrector .

Electrical provision for outfitters.

Provision for diagnostics.

Provision for radio/cb (without speakers)

Glow plug for cold start.

On request:

170 Ah tropicalised accumulators;

Reverse alarm;

Electrically controlled main current circuit breaker.



CAB

White cab with hydraulic tipping. Built in moulding fiberglass with tubular steel armature. Tested on the most demanding off road routes. Cab suspension with guiding arms, 4 helicoidal springs, double action shock absorbers, anti-roll bar and end-of-stroke pads. Internal panels completely washable and fireproof. 4-speed ventilation and heating system with air recirculation system.

Collapsible first step. Electric power windows on driver and passenger doors. Beacon lights on cab roof. Driver seat with pneumatic suspension and seat belt. Passenger seat with mechanical suspension with seat belts. Tinted athermic windows. Steering wheel adjustable in height and slope with pneumatic control.

On request:

Car radio RDS, CD;

Car radio RDS, CD on the steering wheel controls;

Car radio RDS, CD, MP3, Blue Tooth technology;

Compressed air quick coupling for cab cleaning;

Roof hatch;

Air conditioning;

Centralized closing of the doors with remote control;

Metallic colour cab;

Non-metallic colour cab;

Heated and electric powered rear view mirrors;

Cab rear window;

External sun visor.



STEERING

Hydraulic power steering ZF 8099 with variable ratio 1:22.2/1:26.2, with auxiliary cylinder. Hydraulic pump with gears flanged to engine. Steering linkage with self lubricating floating joints.

Height and inclination mechanical adjustable steering wheel.



PNEUMATIC SYSTEM

Two-cylinder 630 cc compressor , APU (Air Processing Unit) that includes: regulation valve set at 10.3 bar, drier, 4-way safety valve, pressure reduction valve for parking circuit and services. 3 air tanks, capacity 30 litres + 2 with 20 litres. ABS system and EBL (Electronic Brake Limiter).





SERVICE DATA(I)

Engine oil sump and filters	28
Gearbox oil	11
Power steering oil	8,5
Power steering oil	1
Cab tipping oil	0,5
Transferer oil	10
Front axle with final red. oil	6,5
Intermediate axle with final red. oil	27
Rear axle with final red. oil	16
Cooling system water	33
Diesel	300



INSTRUMENTATION

Dashboard and ergonomic instrument board contain the function buttons and the identification commands.

Indicator lights: engine oil low pressure, alternator charging low, main beam lights, side lights, engine warm-up, rear fog light, hazard lights, tractor turn indicators, trailer turn indicators (if applicable), rotating lights, cab lifted, axles differential locked, differential lock, front brakes air pressure low, rear brakes air pressure low, trailer brakes air pressure low (if applicable), parking brake engaged, splitter (reduction on), slow speeds (1-4/9-12), power take-off on (if applicable) air filters clogged, power steering oil level low, rear view mirrors heated (if applicable), ABS, trailer ABS (if applicable), main steering circuit failure, steering auxiliary circuit failure.

ASTRA Veicoli Industriali

Via Caorsana, 79
29100 Piacenza (Italy)
Tel. ++39-523/5431
Fax ++39-523/59.17.73
www.astraspa.com

DEALER

07 - 2008 A3501504

Characteristics and equipment are subject to changes without prior notice.



Technical data and general specifications - validity to be checked according to each individual country.